

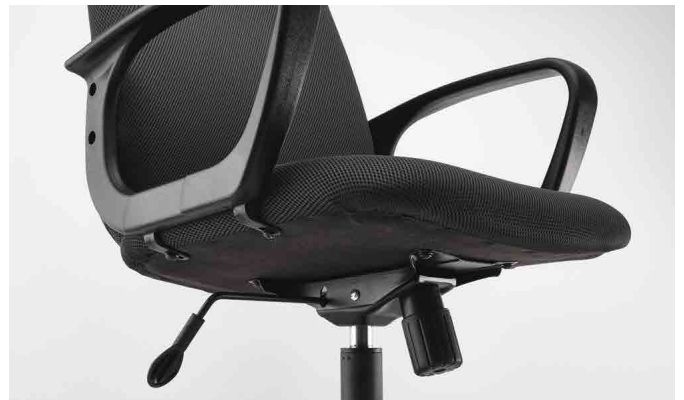


Sealing Solutions for Gas Springs



Sealing Solutions for Gas Springs

Gas spring serves to enhance consumer comfort or industrial productivity. Its function is to provide effective cushioning and damping. Sealing elements are critical in preventing leakage of the gas from the cylinder and to thus prevent loss of performance.



Sealing Solutions Approach

Kastas offers sealing solutions containing a combination of diverse system requirements.

- Excellent wear resistance
- Very low permeation rates
- Very broad media resistance
- Broad temperature range
- Easily achievable baked enamel finishing and powder coating of the gas spring
- Very good price-performance ratio

Gas Springs

We offer sealing solutions for comfort and industrial applications of Gas Springs.

- **Comfort Gas Springs**
 - Tailgates
 - Bonnets
 - Office chairs
- **Industrial Gas Springs**
 - Cutting and Stamping Tools
 - Automotive Industry
 - Injection Moulding Machines

Top Level Service

- Extensive ex-stock capability for standard products
- Flexibility in the production and services for customer-specific needs
- Reliable quality and competitive prices
- Industry's best lead times for customized and standard products
- Custom-designed products with lifecycle management

Product Range for Gas Springs

GAS SPRING SEALS



GAS SPRING SEAL NBR

- Low friction
- Good abrasion resistance
- Long service life



GAS SPRING SEAL PU

- Superior performance in high pressure
- High wear and tear resistance
- Long service life

ROD SEALS



FR200 FRICTION REDUCED ROD SEAL

- Low friction
- Low leakage
- Pressure relief



K22 ROD SEAL

- Superior static and dynamic sealing
- Easy assembly
- High wear resistance



K33 ROD SEAL

- High wear resistance
- Superior sealing effect with the secondary lip
- Easy assembly into closed grooves



K38 ROD SEAL

- Superior sealing effect with the secondary lip
- Low axial housing
- Good sealing performance even at low pressures

WIPERS



K06 ROD SEAL

- Very good wiping performance
- Simple, easy-construction groove
- Wide range of dimensions



K11 WIPER

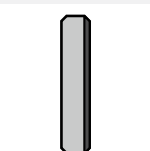
- Superior scraping effect
- Simple, easy-construction groove
- No twisting in the housing



K09 ROD SEAL

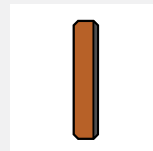
- Very good wiping performance
- No twisting in the housing
- Specially design to prevent big particles to go into the system

GUIDE RINGS



K780 CARBON STEEL BUSHING

- Working under oilless or minimum oil state condition
- Abrasion resistance
- Forms a transferred film during operation to protect shaft



K781 BRONZE BUSHING

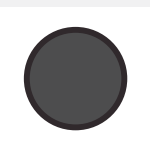
- Due good thermal conductivity of bronze , it diverts heat
- Due to good anti-corrosion ability of bronze it can be used in the feeble acid and alkali condition
- High load resistance



K75 GUIDE RING

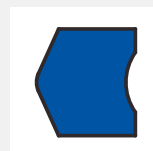
- Low friction
- High load-bearing capacity
- Ability to work on dry conditions

STATIC SEALS



KO O-RING

- Very good static sealing ability
- Wide range of dimensions
- Very good sealing in low and high pressures



K84 STATIC SEAL

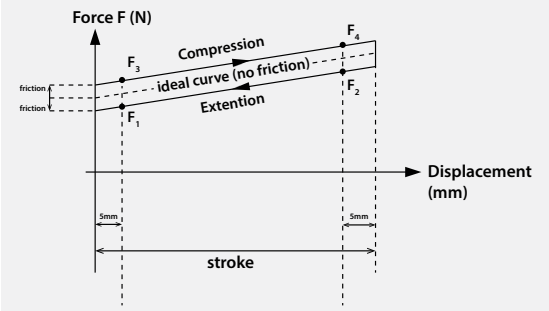
- High operating pressures
- High reliability
- Interchangeable for o-ring and o-ring with back-up ring

Sealing Solutions for Comfort Gas Springs

Comfort gas springs are widely used for retention or facilitation of movement in automobile tailgates, bonnets; office chairs, kitchen cabinets, treadmills and many other.

Kastas produces sealing solutions for comfort gas springs that are designed, developed and tested for high performance and long service life.

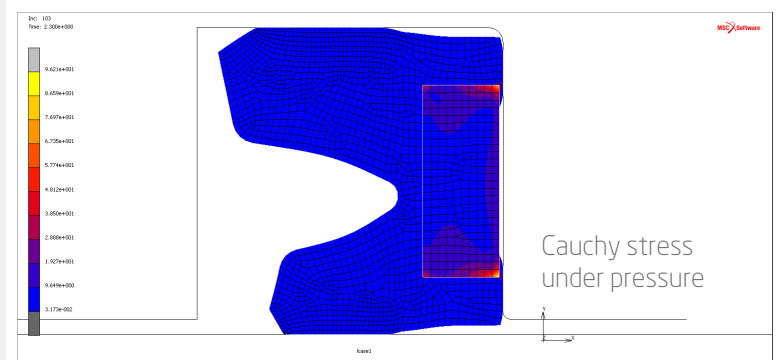
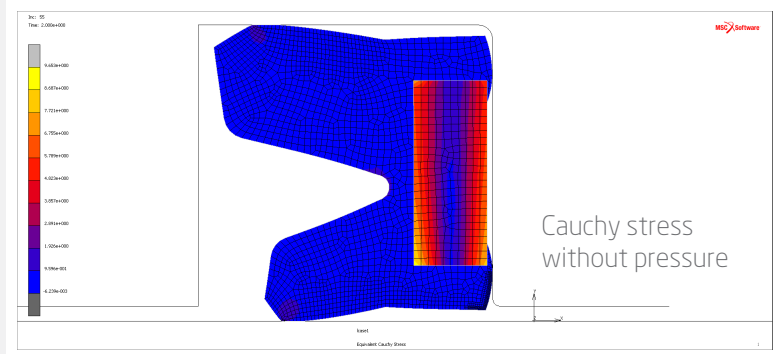
Friction Force Graphic



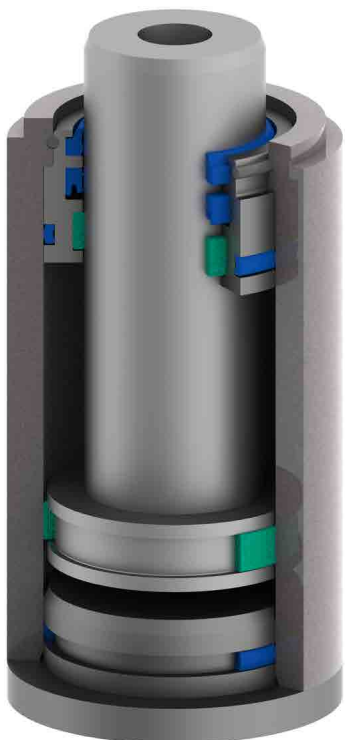
GAS SPRING SEAL NBR



GAS SPRING SEAL PU



Sealing Solutions for Industrial Gas Springs



Industrial gas springs are widely used in industrial applications such as cutting, stamping and moulding tools. Industrial gas springs require high performance sealing elements due to their compact design and high pressure.

Kastas produces a wide range of sealing elements for industrial gas springs that ensures low friction, minimum gas permeation through out millions of cycles.



Kastas Sealing Technologies A.S.

Atatürk Plastik O.S.B. 3.Cadde No:5
35660 Menemen / İZMİR / TURKEY

Tel : +90 232 397 60 00

Fax : +90 232 502 25 28

info@kastas.com

www.kastas.com

Kastas Sealing Technologies Europe GmbH

Robert-Bosch-Str. 11-13,
25451 Quickborn/GERMANY

Tel : +49 4106 809 280

Fax : +49 4106 809 28 49

europe@kastas.com

www.kastas.com